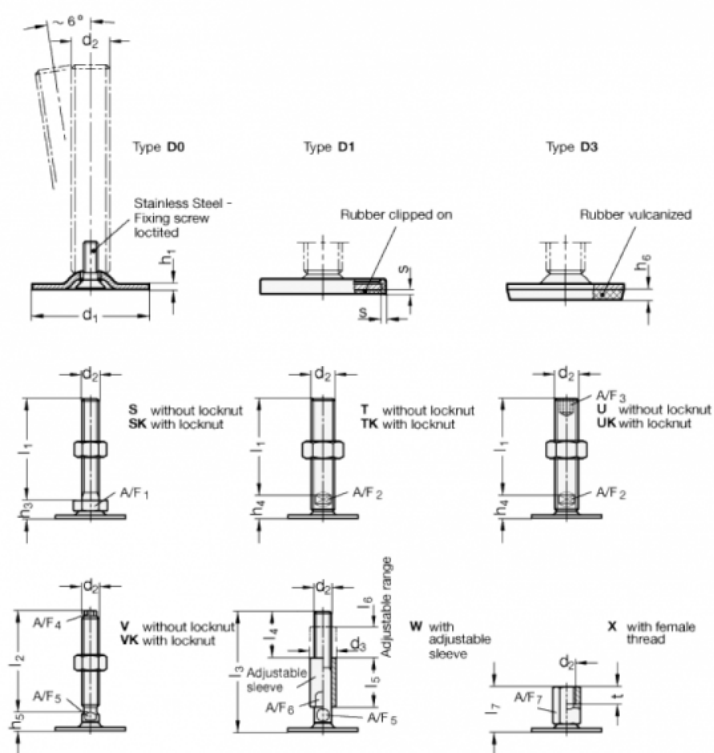


Article number: 204150M10100D0SK  
 Description: E+G levelling foot  
 GN 41-50-M10-100-D0-SK  
 Note: SK With nut, External hexagon at the bottom

## Measures



A/F1 = 17  
 $d_1$  = 50  
 $d_2$  = M10  
 $h_1$  = 2.5  
 $h_3$  = 11  
 $h_6$  =  
 $h_1$  = 100  
 $s$  =